

THE SUREFIRE NO-HASSLE GUARANTEE

We'll do what it takes to keep your SureFire gear running smoothly.

SureFire warrants that if you—our customer—purchase one of our products, and we determine that it is defective in material and/or workmanship during your lifetime, we will repair or replace it—no hassle! Rechargeable batteries and chargers are warranted for two years from the date of purchase. SureFire hearing-protection products are warranted for 90 days from the date of purchase. Our warranty does not cover consumables or normal wear-and-tear, or damage resulting from abuse, alterations, unauthorized repairs, or use contrary to SureFire's user manuals. To help protect your investment SureFire offers reasonable rates to repair damage to our products not covered by our warranty, such as a core rebuild for a suppressor damaged by improper use. You will be provided with a quote for approval before work begins.

STANDARD DISCLAIMER

Except as specified above or prohibited by applicable law: all express or implied conditions and warranties, including, without limitation, any implied warranty or condition of merchantability or fitness for a particular purpose, or accuracy of any informational content, are hereby excluded and disclaimed by SureFire; and in no event will SureFire be liable for any special, direct, indirect, consequential, incidental or punitive damages howsoever arising and regardless of the theory of liability, even if advised of the possibility of such damages. Products, prices, availability, specifications, and offers are subject to change or cancellation at any time without notice.

WARRANTY CLAIMS

For claims, contact Customer Service at 714-545-9444 to obtain a Return Merchandise Authorization number (RMA#). Then package the unit carefully and send to (no CODs):

SureFire, LLC.
Repairs Department, RMA# _____
17680 Newhope, Suite B
Fountain Valley, CA 92708

SureFire will pay reasonable shipping costs to return the unit to you.



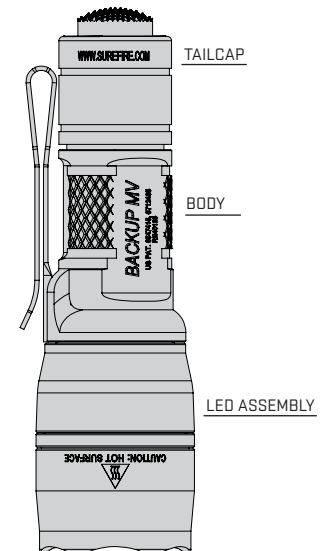
Revision C 6-2017
71-01-1011
E1B-MV

18300 MT. BALDY CIRCLE
FOUNTAIN VALLEY, CA 92708-6122
SUREFIRE.COM



E1B BACKUP™ W/ MAX VISION DUAL OUTPUT LED FLASHLIGHT

E1B-MV



Specifications	E1B-MV
Output	High: 400 Low: 5 lumens
Intensity	1,865 candela
Runtime	High: 1.25 Low: 50 hrs.*
Weight	2.95 oz. (83.6 g)
Length	3.87 inches (9.8 cm)
Bezel Diameter	1.13 inches (2.8 cm)

All performance claims tested to ANSI/NEMA FL1-2009 Standard.

USER MANUAL

E1B BACKUP™ W/ MAX VISION

GET THE BEST FROM THE BEST

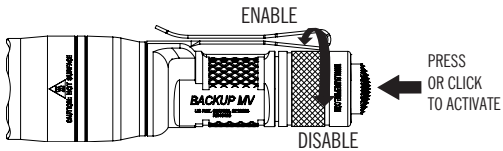
Your SureFire illumination tool has been designed and manufactured to provide years of reliable service. Please review this manual to ensure optimal performance.

LOCKOUT TAILCAP

Most SureFire illumination tools feature a lockout tailcap, which prevents accidental activation during storage or transport. The tailcap may need to be enabled prior to light operation.

To enable, rotate tailcap clockwise until light activates when tailcap pushbutton is pressed, providing momentary or constant on light output.

To lock out tailcap, rotate counterclockwise until light will not activate when pressed.



LIGHT OPERATION

Press or click pushbutton for high output. Return to off and press or click on again, within two seconds, for low output. Backup defaults to high-output when off for more than two seconds.

BATTERY INSTALLATION / REPLACEMENT

⚠ WARNING

Use of substandard batteries can cause injury or property damage. Visit www.surefire.com/batterysafety.

The E1B MaxVision ships with one preloaded battery. To load or replace battery:

1. Unscrew bezel counterclockwise and remove.
2. Remove old battery and dispose of properly.



3. Insert new 123A lithium battery with positive (+) terminal oriented forward towards the bezel.
4. Reinstall bezel by twisting clockwise.
5. Press pushbutton (with tailcap enabled) to test.

⚠ BATTERY INFORMATION & WARNING

Before replacing batteries, read the enclosed BATTERY INFORMATION/WARNING insert in your original packaging. For additional battery safety, handling, and product information, visit www.surefire.com/batteries.

MAINTENANCE

Use a clean, dry cloth to wipe off body and window. Periodically clean and lubricate threads and O-rings using a thin coat of non-migrating, silicone-based lubricants. Avoid using petroleum-based lubricants that can damage O-rings. For additional tips on maintaining your SureFire illumination tool, visit www.surefire.com/faqs-maintenance.

ACCESSORIES

SureFire makes a full line of accessories for most of its illumination tools. For a complete listing, visit www.surefire.com/parts-accessories.